

6

5

4

3

2

1

**MATERIAL AND FINISH:**

Insulator: Polycarbonate, UL-94V-0 rated  
Contacts: Brass, Nickel plated

**ELECTRICAL SPECIFICATIONS:**

Current rating: 10 A  
Voltage rating: 250 VAC  
Current rating: 15 A  
Voltage rating: 250 VAC



**ORDERING CODE:**

42R01-2    2     
          1    3

**1 = COLOR**

- 1 = BLACK
- 2 = GRAY

**2 = M3x6.0mm SCREW TERMINALS**

**3 = ELECTRICAL CIRCUIT CONFIGURATION**

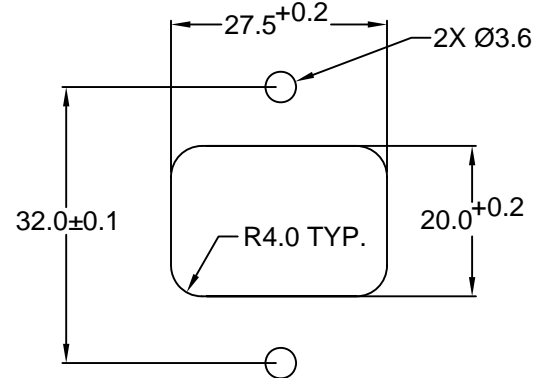
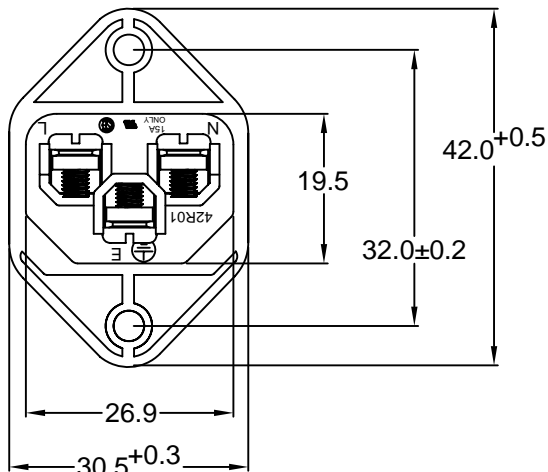
1 = 15A 250V 120°C  
2+GROUND



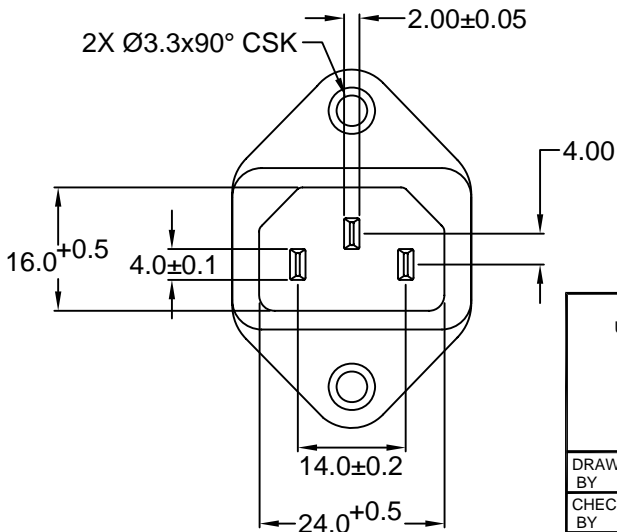
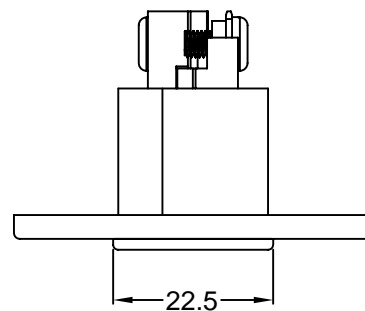
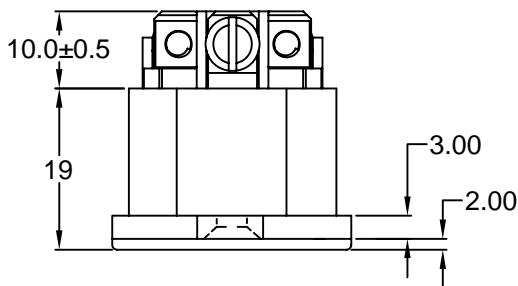
2 = 15A 250V 70°C  
2+GROUND



4 = 15A 250V 70°C  
2 POLE



RECOMMENDED  
PANEL CUTOUT



2X Ø3.3x90° CSK

RoHS  
COMPLIANT

TOLERANCE UNLESS OTHERWISE SPECIFIED			
X	± 1		
X.X	± 0.4		
X.XX	± 0.20		
DRAWN BY	GQ	DATE:	08/07/01
CHECK BY	TD	DATE:	08/14/01
APPR BY	PB	DATE:	08/14/01

<b>Power Dynamics, Inc.</b>		
Phone: 973 560-0019 Whippany, New Jersey Fax: 973 560-0076		
PART: IEC 60320 C14 APPL. INLET; SCREW TERMINALS; CROSS FLANGE		
42R01-2X2X		SHEET 1 of 1
SIZE: A	ALL DIMENSIONS FOR REFERENCE ONLY	
SCALE: NTS	DIMENSIONS ARE IN MILLIMETERS	
REV:		

D

C

B

A

REV	DATE	CHANGE	CHNG	CHK	APPR

6

5

4

3

2

1